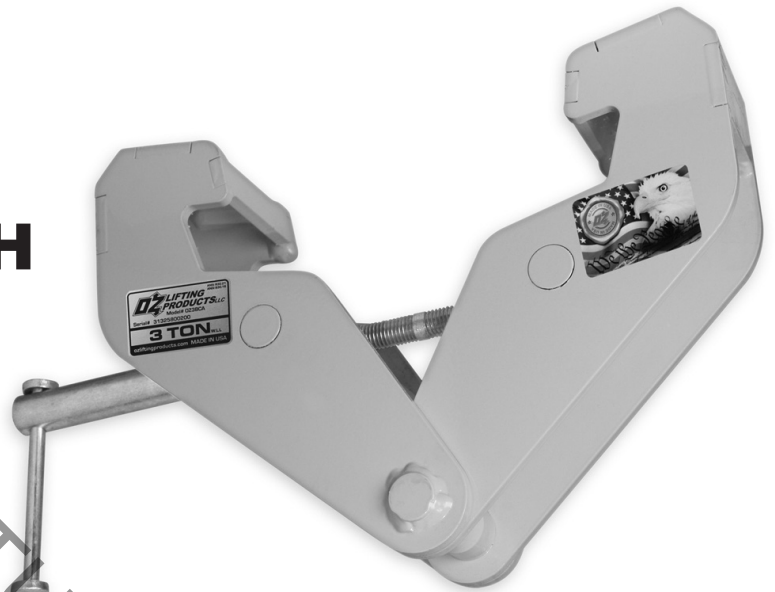


# OPERATOR'S MANUAL

## BEAM CLAMP

**100% made in the USA.**

**1 TON  
THROUGH  
10 TON**



**These Beam Clamps  
meet or exceed  
ASME standards**

**(For use with manual or powered hoists)**



P.O. Box 845, Winona, MN 55987  
Phone (800) 749-1064  
(507) 474-6250  
Tech Support (507) 457-3346  
Fax (507) 452-5217  
sales@ozliftingproducts.com  
www.ozliftingproducts.com

# Table of Contents

---

---

Pg.2	Product Features
Pg.3	Warranty
Pg.4	Important Information and Precautions
Pg.5	Warnings
Pg.6	Technical Information/ Pre-Installation
Pg.7	Operation/Maintenance



Check out our How to Videos at  
[www.ozliftingproducts.com](http://www.ozliftingproducts.com)

## Product Features

---

---

- Robust all-steel fully-welded construction
- Super-quick adjustment to most I-Beams
- Safety yellow powder coating for durable surface protection



# Warranty

This product is guaranteed to be free of defects in materials and workmanship for five years from date of shipment.

This does not apply to any product showing signs of misuse, overloading, alteration, improper maintenance, or negligence. Normal wear and tear of moving parts is excluded from this warranty. If this product does not perform normally during the first five years of operating due to defective materials or workmanship it will be repaired or replaced at the discretion of OZ Lifting Products. The product will then be returned to the customer free of charge. If no defect is found the customer will be responsible for return shipping costs.

Upon repair or replacement the product will be covered by the warranty for the remainder of the original warranty. OZ Lifting Products will not be held liable for injuries to persons or property, death, incidental, consequential, or contingent damages whether negligent or deliberate, arising from the use of the product. It is the sole responsibility of the owner to install and operate the product properly and safely.

This is OZ Lifting Product's only written warranty. This warranty is in lieu of all other warranties implied by law such as merchantability and fitness.

## Warranty Policy

Any product for which there is a warranty claim must be returned prepaid to an authorized OZ Lifting warranty depot along with proof of purchase.

**For more information please contact:**



P.O. Box 845, Winona, MN 55987

Phone (800) 749-1064

(507) 474-6250

Tech Support (507) 457-3346

Fax (507) 452-5217

sales@ozliftingproducts.com

www.ozliftingproducts.com

# Important Information and Precautions

This manual contains general instructions dealing with the normal installation, operation and maintenance of the products described herein.

This product should not be installed, operated, or maintained by any person who has not read all the contents of these instructions. Failure to read and comply with these instructions, warnings, or limitations noted might result in bodily injury, death, or property damage. Contact the distributor for further explanation if information is not fully understood.

It is the responsibility of the owner/user to install, test, maintain, and operate these products in accordance with OSHA regulations, other federal, state, and local regulations, and ANSI standards.

Only trained and qualified personnel shall operate and maintain this equipment.

## Maintain Records

Schedule and maintain records of regular inspection and maintenance of the product in compliance with ANSI standards.

Record your Beam Clamp's Serial Number on the front cover of this manual to allow for easier referencing.

## Precautions

Do not use OZ Lifting products in conjunction with other equipment unless the system designer, manufacturer, installer, or user has put the necessary safety devices in place. Modifications to upgrade or alter these products should only be authorized by the original manufacturer.

Beam Clamp should be used for holding loads only within their load ratings.

**These Beam Clamps meet or exceed ASME standards**  
**(For use with manual or powered hoists)**



# Warnings

---

---

---

Failure to read and comply with the following warnings may result in a hazardous situation that could lead to death, serious injury, or property damage.

Be sure to properly install, operate, and maintain the Beam Clamp so that it does not come off the beam.

**Do Not** lift more than the designated load range.

**Do Not** lift people or lift loads over people.

**Do Not** operate a damaged or malfunctioning product.

**Do Not** remove, deface, or cover warning labels.

**Do Not** operate until personnel are warned and cleared from the area.

**Do Not** use if load is not suspended vertically.

**Do Not** use beam clamp without locking firmly in place.

**Do Not** use beam clamp as welding ground.

**Do Not** use the beam clamp for a buffer or grab.

**Do Not** add lengthening pieces to the beam clamp lever.

**Do Not** weld on the lifted load.

**Do Not** open the beam clamp when it is holding a load.

**Do Not** use beam clamps in corrosive environments.

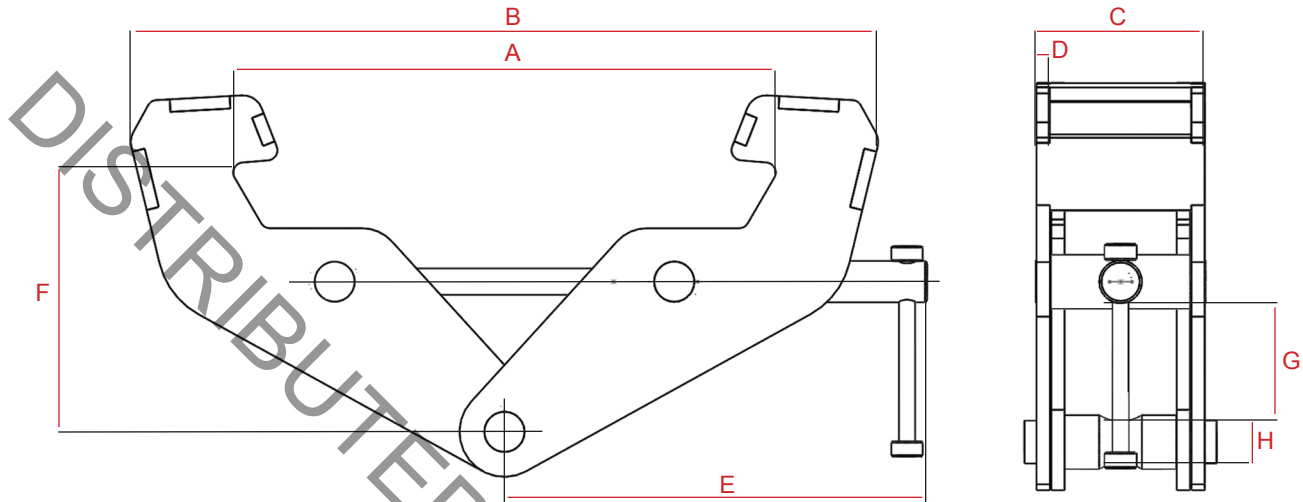
**Do Not** use connections between the clamp and load.

**Do Not** allow the load to swing.



# Technical Information

(1, 2, 3, 5 and 10 tons)



## Specification

	OZ1BCA	OZ2BCA	OZ3BCA	OZ5BCA	OZ10BCA
Safe Working Load	2,000 lbs.	4,000 lbs.	6,000 lbs.	10,000 lbs.	20,000 lbs.
A	3" - 9"	3" - 9"	3.5" - 13"	3.5" - 13"	3.5" - 13"
B	14.75"	14.75"	20.5"	19.5"	22"
C	2.51"	2.91"	3.94"	4.41"	4.72"
D	0.9"	0.9"	1.5"	1.5"	1.6"
E	9.5"	9.5"	11"	11"	11.5"
F	4.75" - 5.75"	4.75" - 5.75"	7.5" - 9"	7.5" - 9"	5.5" - 9.375"
G	1.75"	1.75"	2.5"	2.5"	4"
H	.75"	.875"	.975"	1.125"	1.625"
Net Weight	8 lbs.	10 lbs.	21 lbs.	26 lbs.	37 lbs.

## Pre-Installation

Check for damage during shipment. Do not install or use a damaged product. Ensure that the spindle is properly functioning.

Be sure to maintain records of all accompanying product information.

Contact your OZ Lifting Product dealer if there are any problems.

### Before initial operation:

Read and comply with all instructions and warnings furnished with or attached to the product as applicable.

# Operation

---

---

## Warnings & Precautions

Beam Clamp operators should read and fully comprehend this entire manual and all warnings on the clamp before beginning clamp operation. If this manual is not read and followed completely injuries may occur.

## Operator Requirements:

Must be trained in proper clamp operation and dealing with potential malfunctions.

Should not operate beam clamp while under influence of alcohol, medications, or drugs.

Should not operate the beam clamp while tired or distracted.

Should not operate beam clamp if they have a history of seizures or other medical issues that may interfere with operation.

Should have proper coordination and vision.

## Prior to Operation be sure:

Clamp is in proper working condition and maintenance records are up to date.

## Operation

1. Open the clamp jaw by turning spindle handle counter clockwise.
2. Position the beam clamp on the girder.
3. To close the clamp jaw hand-tighten by turning the spindle handle clockwise.
4. Be sure that the jaw fully clamps.
5. Ensure that the load is centered.
6. Always lift slowly and maintain constant observation of the load.

# Maintenance

---

---

Operators should visually inspect girder clamps on a regular basis. Observe for wear, damage, cuts, cracks, or corrosion. Verify that the spindle is freely moving. If any problems are observed the beam clamp should be placed out of service until it can be repaired. Use only OZ Lifting products for replacement parts.

Once a year the beam clamp should be taken to an authorized repair center for professional inspection.

Following repair test the beam clamp with a load that is 1.25 times the rated load to re-certify the product.

DISTRIBUTED BY TULSA CHAIN.COM



P.O. Box 845, Winona, MN 55987  
Phone (800) 749-1064  
(507) 474-6250  
Tech Support (507) 457-3346  
Fax (507) 452-5217  
sales@ozliftingproducts.com  
[www.ozliftingproducts.com](http://www.ozliftingproducts.com)