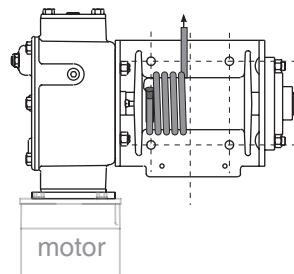
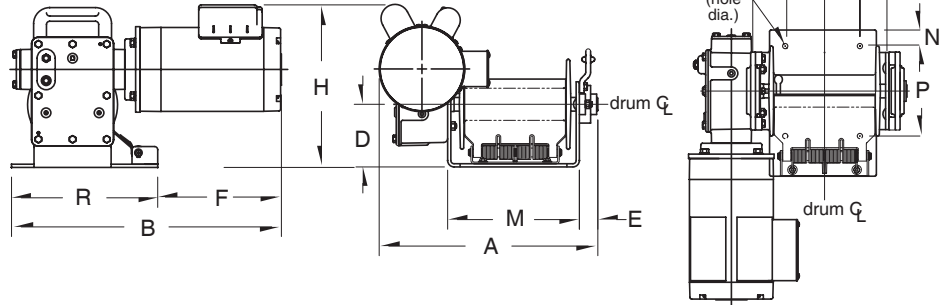
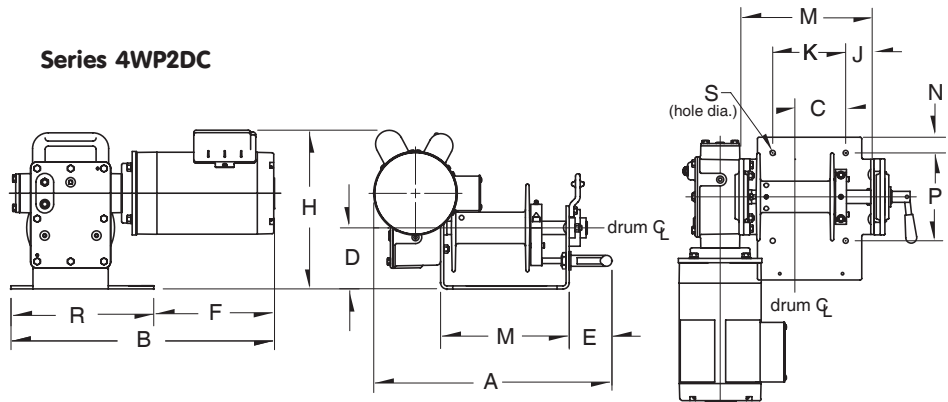


Options and Accessories

- **Emergency Hand Crank** for manual operation in case of power failure. Does not include handle.
- **Two Part Line Kit** to convert to double line rigging.
- **Rotary Limit Switches** for secondary shut-off to limit load travel in one or two directions. **Not available on clutch models.**
- **Special Motors and Controls** including severe duty and explosion proof.
- **Special Finishes** for hazardous environments.
- **Torque Limiters** as part of the motor controls on electric models.

Side View
Rear View
Top View
Series 4WP2D8


Install wire rope correctly as shown, or brake will not operate properly.

Series 4WP2DC

Important:

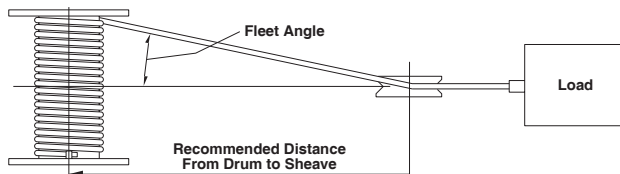
It is the owner's or operator's responsibility to determine the suitability of the equipment to its intended use. Study all applicable codes, manuals, and regulations. Be sure to read the Owner's Manual supplied with the equipment before operating it.

Series 4WP2D – Dimensions (in)

series	A ¹	B ¹	C	D	E	F	H ¹	J	K	M	N	P	R	S (hole dia.)
4WP2D8	17.50	21.00	2.75	5.00	1.50	9.50	12.75	2.25	5.81	10.25	1.25	7.00	11.50	.41
4WP2DC	19.00	21.00	4.00	5.00	3.50	9.50	12.75	2.25	5.81	10.25	1.25	7.00	11.50	.41

Dimensions are for reference only and subject to change without notice.

¹ Dimensions A, B and H may vary with motor selection.


Series 4WP2D – Drum Dimensions

model extension	drum diameter	flange diameter	drum width	fleet angle distance ²
4WPD8	2.50 in	7.00 in	8.00 in	13 ft
4WPDC	2.50 in	7.00 in	5.50 in	9 ft

Dimensions are for reference only and subject to change without notice.

² Recommended minimum distance between drum and lead sheave for smooth drum.